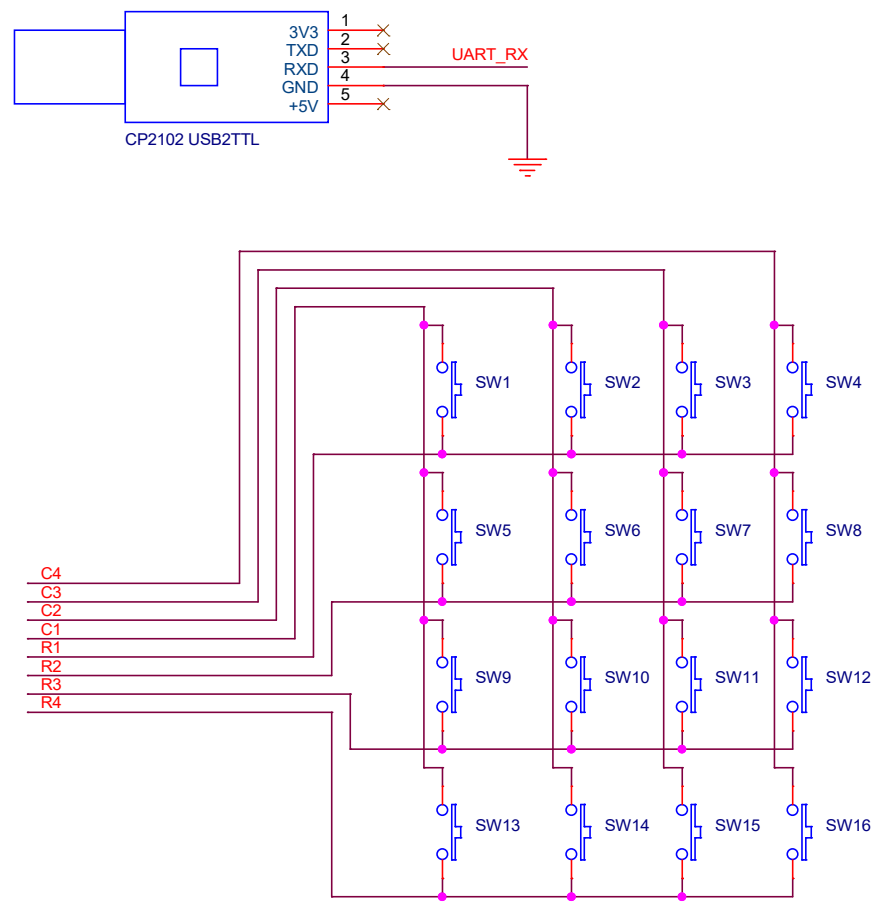


ATMega128 Training Board



|                               |                          |               |
|-------------------------------|--------------------------|---------------|
| Title                         |                          |               |
| <b>4*4 matrix switch test</b> |                          |               |
| Size                          | Document Number          | Rev           |
| Custom                        | <Doc>                    | <Rev Code>    |
| Date:                         | Friday, January 16, 2026 | Sheet 0 of 26 |